



# HARYANA VISHWAKARMA SKILL UNIVERSITY

Roll No.....

Semester : First  
Name of the Course : B.Sc. (Automotive Manufacturing)  
Name of the Subject : Engineering Graphics & Drawing  
Subject Code : BME-103P  
Duration : 3 Hours  
Maximum Marks : 30

---

**Instructions to the students:** This question paper consists of 2 sections.

1. **Section A** comprises 10 questions of objective type in nature. All 10 questions are compulsory. Each question carries 1 mark.
2. **Section B** comprises 6 long answer type questions out of which students need to do any 5. Each question carries 4 marks.

## SECTION-A (OBJECTIVE TYPE QUESTIONS)

Q1.(A) Lower case letters are usually used in \_\_\_\_\_ drawings.

- A) Painting
- B) Engineering
- C) Architectural
- D) Normal

(B).CAD stands for\_\_\_\_\_

- A) Computer Applied Drawing
- B) Computer Application Design
- C) Computer Aided Design
- D) Control Application Design

(C).Irregular boundaries and short breaks are shown by \_\_\_\_\_

- A) Alternate long & short dash lines
- B) Short dash line
- C) Continuous thin & wavy lines
- D) Long thin lines

(D). Writing of titles, notes etc. on a drawing is called \_\_\_\_\_

- A) Dimensioning
- B) Titling
- C) Lettering
- D) Leader line

(E). In \_\_\_\_\_ system, the dimensions are placed perpendicular to dimension line

- A) Multi-directional
- B) Uni-directional
- C) Parallel
- D) Aligned

(F). The Representative Fraction in case of reducing scale is

- A) 1:1
- B) Less than 1
- C) More than 1
- D) 0

(G). In \_\_\_\_\_ angle projection method, plane comes between the observer & the object.

- A) First
- B) Third
- C) Second
- D) Fourth

(H). The dimension of title box is \_\_\_\_\_

- A) 185\*65
- B) 200\*70
- C) 100\*65
- D) 175\*55

(I). To remove unnecessary lines \_\_\_\_\_ is used

- A) Duster
- B) Sand box
- C) Scale
- D) Eraser

(J). In First angle projection method, \_\_\_\_\_ view is always above the top view.

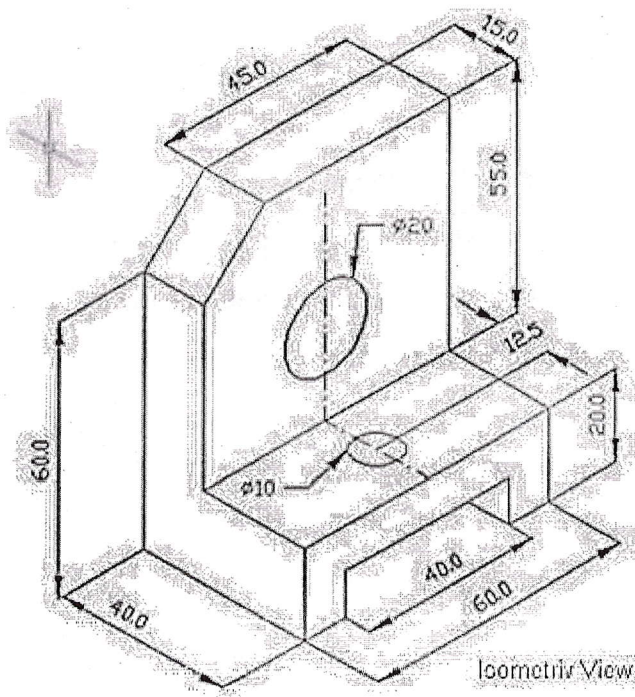
- A) Left Side
- B) Front
- C) Right side
- D) Top

**SECTION-B (LONG ANSWER TYPE QUESTIONS)**

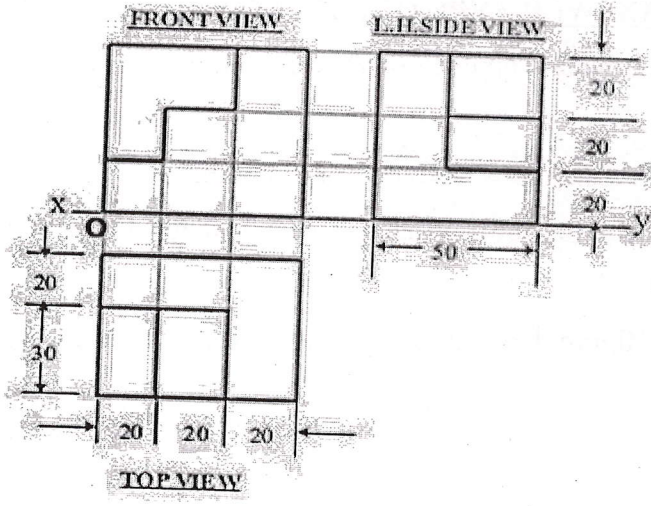
**Q1.** Draw different types of lines and write their general application & description. Draw any eight.

**Q2.** Show by sketches the difference between (i) continuous or chain dimensioning & (ii) progressive or parallel dimensioning. (Same sketch for both). What are the advantage of one above other?

**Q3.** The isometric view of an object is shown in figure. Draw its elevation, plan and side view using third angle projection method.



**Q4.** Orthographic views of a casting are shown below. Draw its isometric view(all dimensions are in mm)



**Q5.** A line PQ is inclined at  $30^\circ$  to the H.P. and it is in the first quadrant. The end P is 15mm above the H.P. while the end Q is in the V.P. The mid-point M of the line is 40mm above H.P. The distance between the end projectors of the line is 70mm. Draw the projections of the line CD and the mid-point M. Determine true length of the line PQ.

**Q6.** Explain basic requirement of AutoCAD 2017. In how many ways a line command be given in AutoCAD. End of paper.