



HARYANA VISHWAKARMA SKILL UNIVERSITY

Roll No.....

Semester : First
Name of the Course : B.Sc. (Automotive Mechatronics)
Name of the Subject : Engineering Graphics & Drawing
Subject Code : BME-103P
Duration : 3 Hours
Maximum Marks : 30

Instructions to the students: This question paper consists of 2 sections.

1. **Section A** comprises 10 questions of objective type in nature. All 10 questions are compulsory. Each question carries 1 mark.
2. **Section B** comprises 6 long answer type questions out of which students need to do any 5. Each question carries 4 marks.

SECTION-A (OBJECTIVE TYPE QUESTIONS)

Q1.(A) Lower case letters are usually used in _____ drawings.

- A) Painting
- B) Engineering
- C) Architectural
- D) Normal

(B).CAD stands for _____

- A) Computer Applied Drawing
- B) Computer Application Design
- C) Computer Aided Design
- D) Control Application Design

(C).Irregular boundaries and short breaks are shown by _____

- A) Alternate long & short dash lines
- B) Short dash line
- C) Continuous thin & wavy lines
- D) Long thin lines

- (D). Writing of titles, notes etc. on a drawing is called _____
- A) Dimensioning
 - B) Titling
 - C) Lettering
 - D) Leader line
- (E). In _____ system, the dimensions are placed perpendicular to dimension line
- A) Multi-directional
 - B) Uni-directional
 - C) Parallel
 - D) Aligned
- (F). The Representative Fraction in case of reducing scale is
- A) 1:1
 - B) Less than 1
 - C) More than 1
 - D) 0
- (G). In _____ angle projection method, plane comes between the observer & the object.
- A) First
 - B) Third
 - C) Second
 - D) Fourth
- (H). The dimension of title box is _____
- A) 185*65
 - B) 200*70
 - C) 100*65
 - D) 175*55
- (I). To remove unnecessary lines _____ is used
- A) Duster
 - B) Sand box
 - C) Scale
 - D) Eraser

(J). In First angle projection method, _____ view is always above the top view.

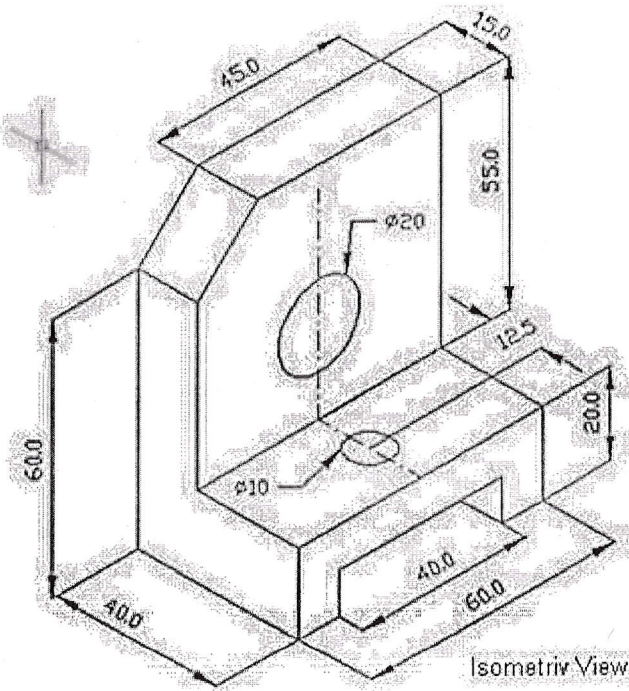
- A) Left Side
- B) Front
- C) Right side
- D) Top

SECTION-B (LONG ANSWER TYPE QUESTIONS)

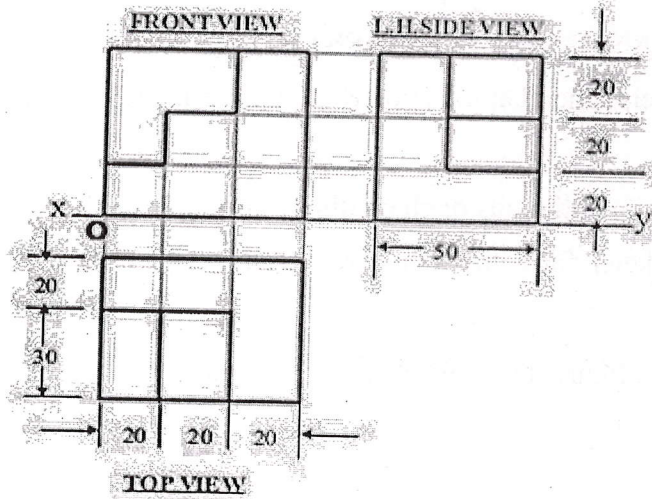
Q1. Draw different types of lines and write their general application & description. Draw any eight.

Q2. Show by sketches the difference between (i) continuous or chain dimensioning & (ii) progressive or parallel dimensioning. (Same sketch for both). What are the advantage of one above other?

Q3. The isometric view of an object is shown in figure. Draw its elevation, plan and side view using third angle projection method.



Q4. Orthographic views of a casting are shown below. Draw its isometric view(all dimensions are in mm)



Q5. A line PQ is inclined at 30° to the H.P. and it is in the first quadrant. The end P is 15mm above the H.P. while the end Q is in the V.P. The mid-point M of the line is 40mm above H.P. The distance between the end projectors of the line is 70mm. Draw the projections of the line CD and the mid-point M. Determine true length of the line PQ.

Q6. Explain basic requirement of AutoCAD 2017. In how many ways a line command be given in AutoCAD. End of paper.